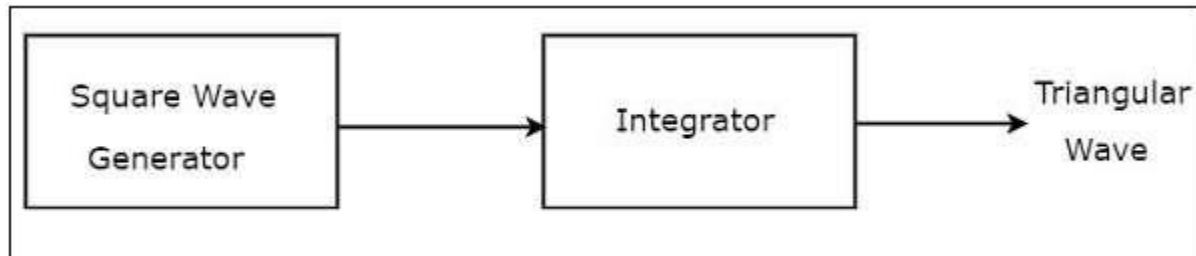


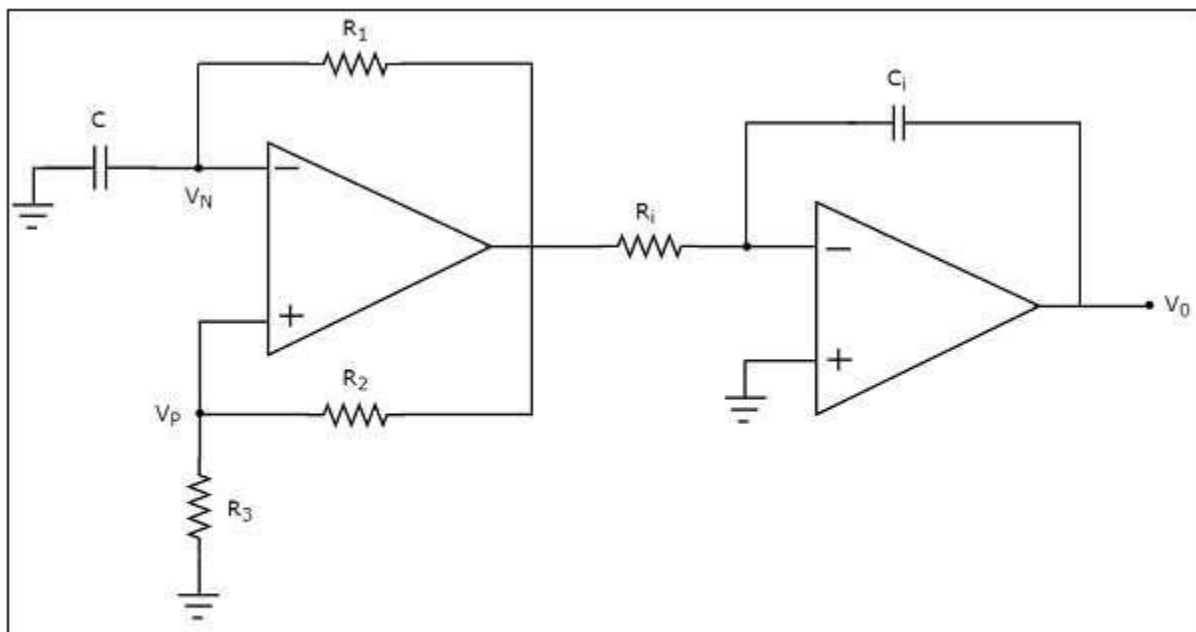
# Triangular Wave Generator

A triangular wave generator is an electronic circuit, which generates a triangular wave. The **block diagram** of a triangular wave generator is shown in the following figure



The block diagram of a triangular wave generator contains mainly two blocks: a square wave generator and an integrator. These two blocks are **cascaded**. That means, the output of square wave generator is applied as an input of integrator. Note that the integration of a square wave is nothing but a triangular wave.

The **circuit diagram** of an op-amp based triangular wave generator is shown in the following figure



We have already seen the circuit diagrams of a square wave generator and an integrator. Observe that we got the above **circuit diagram** of an op-amp based triangular wave generator by replacing the blocks with the respective circuit diagrams in the block diagram of a triangular wave generator.